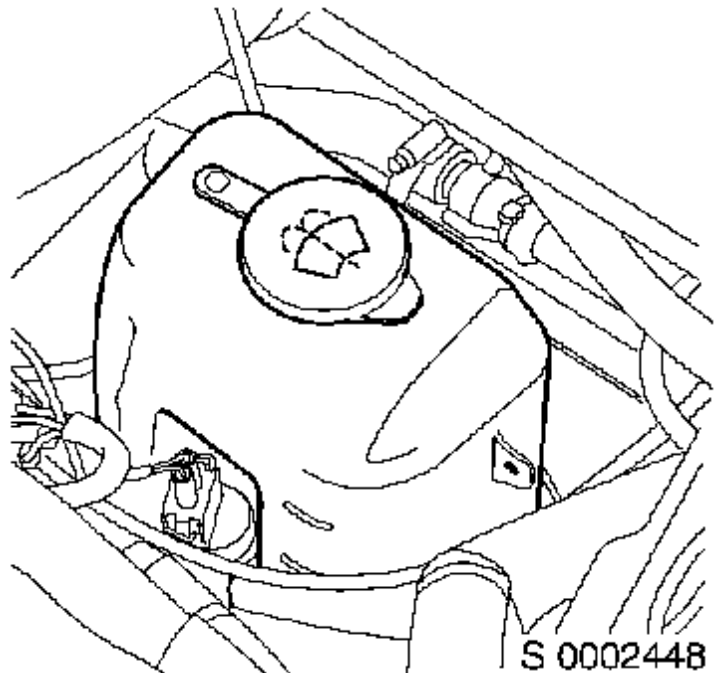


## Front Clamshell, Remove and Install

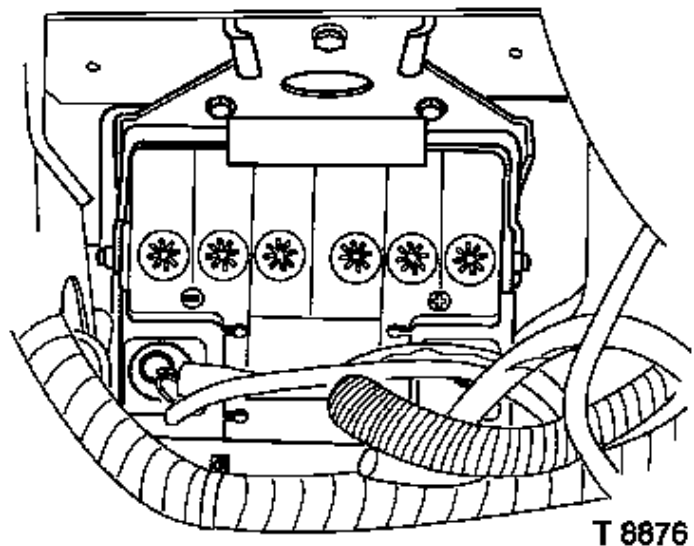


### Remove

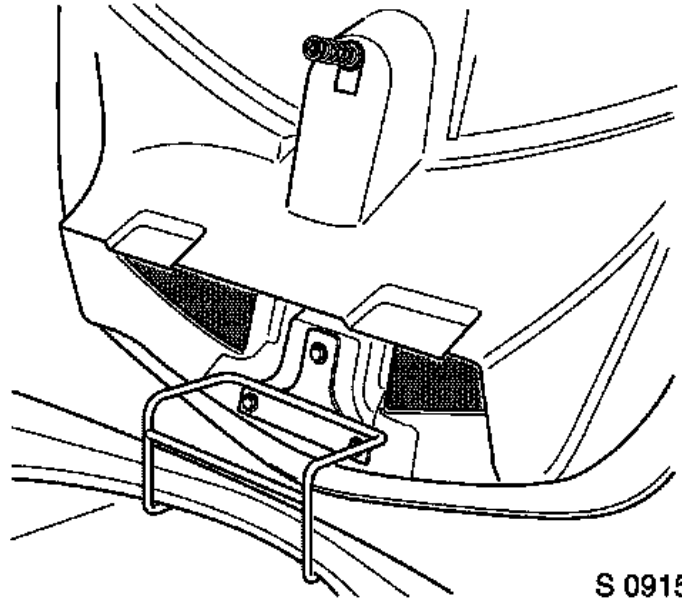
1. Release washer fluid reservoir from bracket
  - Slide off
  - Position washer fluid reservoir to one side



2. Disconnect battery negative lead
  - Release nut, bolt

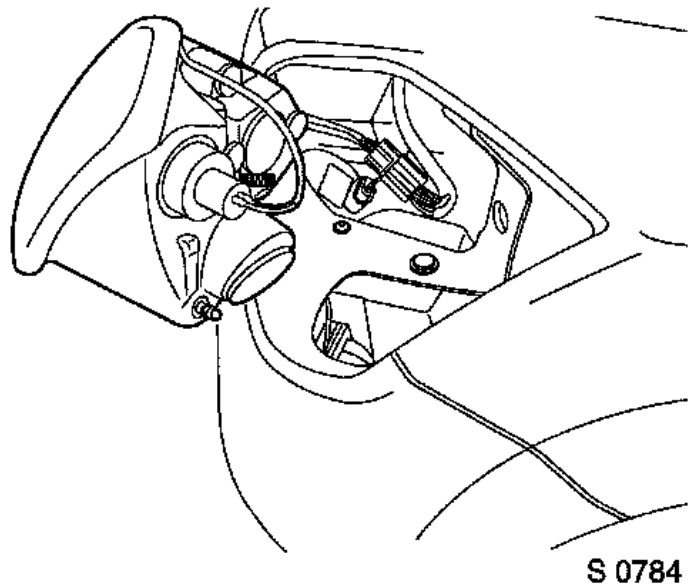


3. Remove front bonnet
  - Apply match marks
  - Remove 3 screw, 3x washer
    - 2nd technician required



S 0915

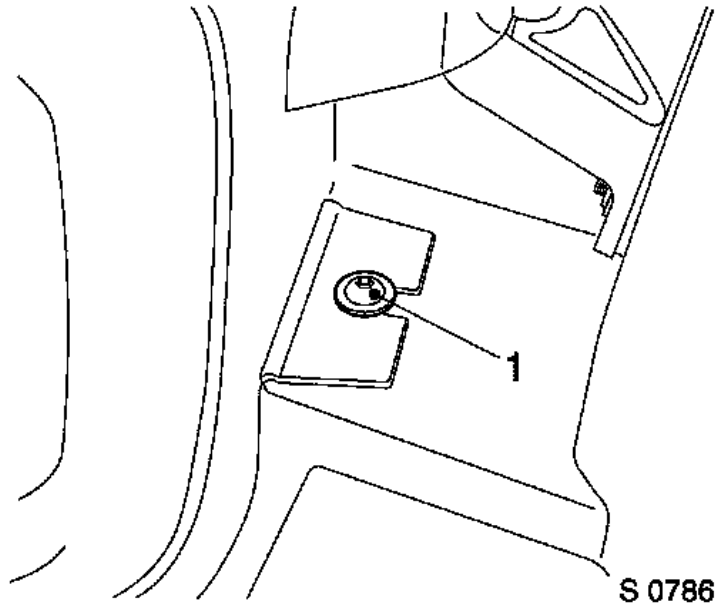
4. Raise vehicle.
5. Remove front undertray
  - Remove 12x bolt, 9x washer
6. Lower vehicle
7. Remove front wheel arch liner from right side
  - Remove 4x screw, 2x clip
8. Remove front wheel arch liner from left side
  - Remove 4x screw, 2x clip
9. Remove 2x headlamp from front clamshell
  - Remove 2x nut, 2x washer
  - Remove 2x bracket
  - Disconnect 2x harness connector



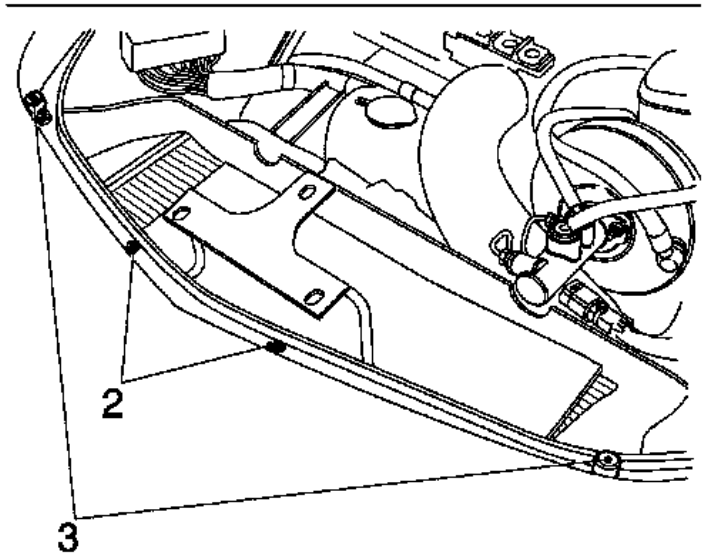
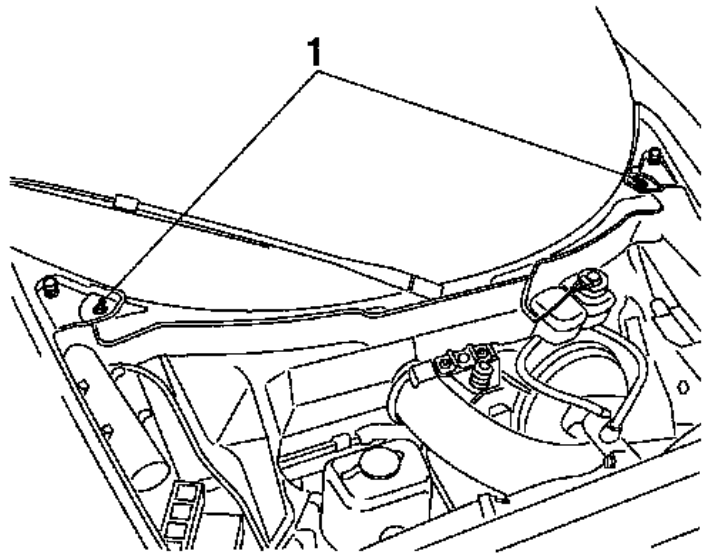
S 0784

10. Remove 2x screw, 2x washer from headlamp apertures of front clamshell
11. Release front clamshell from A-pillar, right side

- Remove 2x screw
- 12.** Release front clamshell from A-pillar, left side
- Remove 2x screw
- 13.** Release front clamshell from 2x side sill
- Remove 2x screw (1), 2x washer



- 14.** Remove 2x screw, 2x washer (1) from front clamshell
- 15.** Remove 2x height adjuster from front clamshell
- Remove 2x nut, 2x screw, 2 washer (3)
- 16.** Release front clamshell from radiator housing
- Remove 2x nut, 2x screw (2)
  - Remove 2x lower screw

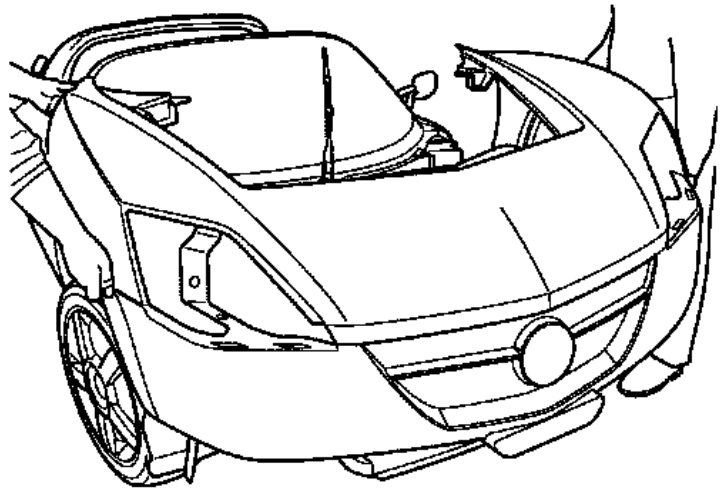


S 0782

17. Disconnect 2x harness connector from 2x front fog lamp
18. Disconnect 2x harness connector from 2x side repeater lamp

**Important:** During handling, care should be taken not to damage the front clamshell or adjacent fibreglass parts. Protect the clamshell from damage when removed, with particular attention to edges and corners.

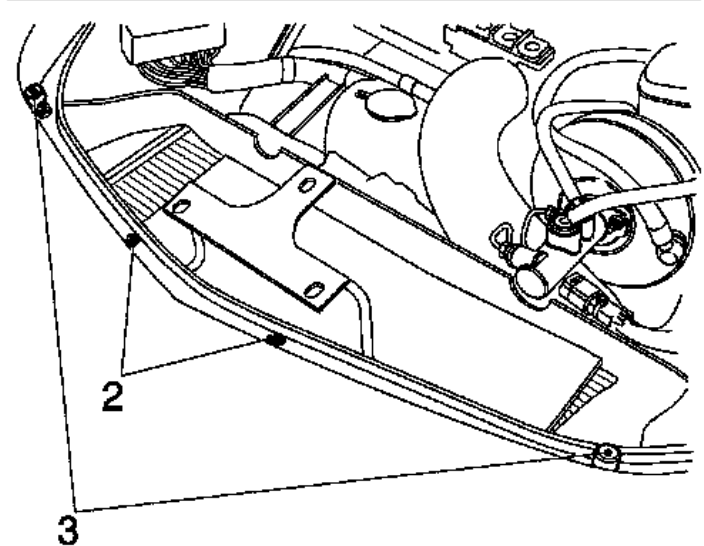
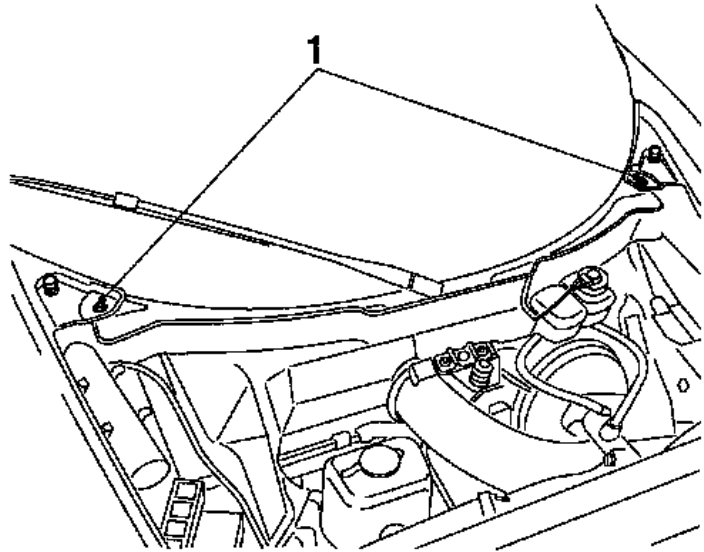
19. Remove front clamshell from vehicle  
**Note:** Second technician required



S 0916

**Install**

20. Install front clamshell to vehicle
  - Note:** Second technician required
  - Note:** Align front clamshell to specification, see operation "Body Panel Alignment Values" in group A. Only the areas detailed in this section are adjustable. All further gaps align as a consequence of these adjustments as the body panels are formed from common moulds.
    - Loosely assemble all fixing points
21. Connect 2x harness connector to 2x side repeater lamp
22. Connect 2x harness connector to 2x front fog lamp
23. Secure front clamshell to radiator housing
  - Secure 2x lower screw
  - Secure 2x nut, 2x screw (2)
24. Secure 2x screw, 2x washer (1) to front clamshell



S 0782

25. Secure front clamshell to 2x side sill
  - Secure 2x screw (1), 2x washer
26. Secure front clamshell to A-pillar, left side
  - Secure 2x screw
27. Secure front clamshell to A-pillar, right side
  - Secure 2x screw
28. Secure 2x screw, 2x washer to headlamp apertures of front clamshell
29. Install headlamp to left side of front clamshell
  - Connect harness connector
  - Install bracket
  - Install nut, washer
30. Install front wheel arch liner to left side

- Install 8x screw, 4x clip
31. Install headlamp to right side of front clamshell
    - Connect harness connector
    - Install bracket
    - Install nut, washer
  32. Install front wheel arch liner to right side
    - Install 4x screw, 2x clip
  33. Raise vehicle
  34. Install front undertray
    - Install 12x bolt, 9x washer
  35. Lower vehicle
  36. Install front bonnet
    - Align match marks
    - Align front bonnet - see operation "Body Panel Alignment Values" in group A
    - Install 3 screw, 3x washer
      - 2nd technician required
    - Adjust, then secure 2x height adjuster
      - Secure 2x nut, 2x screw, 2 washer
  37. Connect battery negative lead
    - Secure nut, bolt
  38. Secure washer fluid reservoir to bracket
    - Slide on
  39. Program all volatile memories